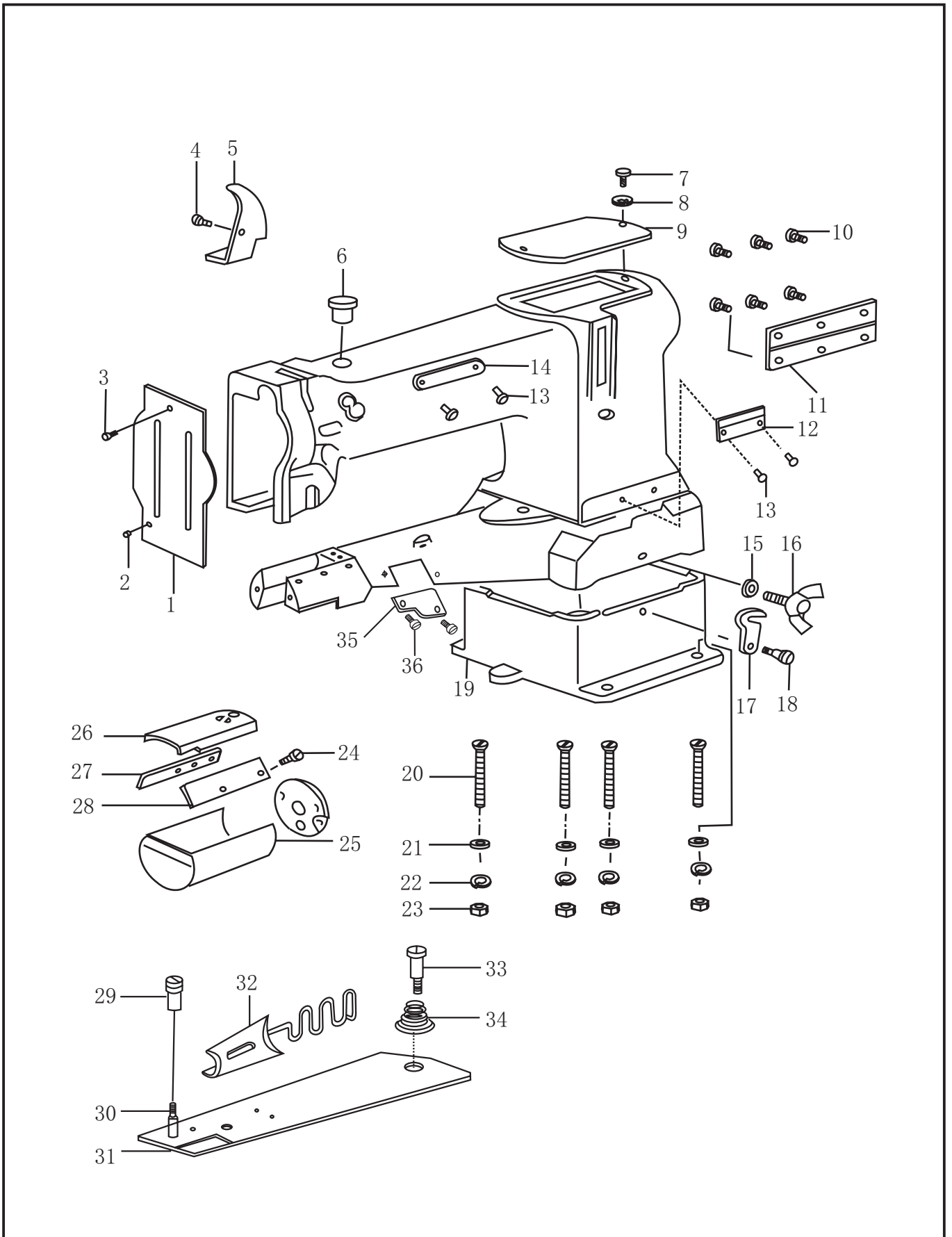


Parts Manual

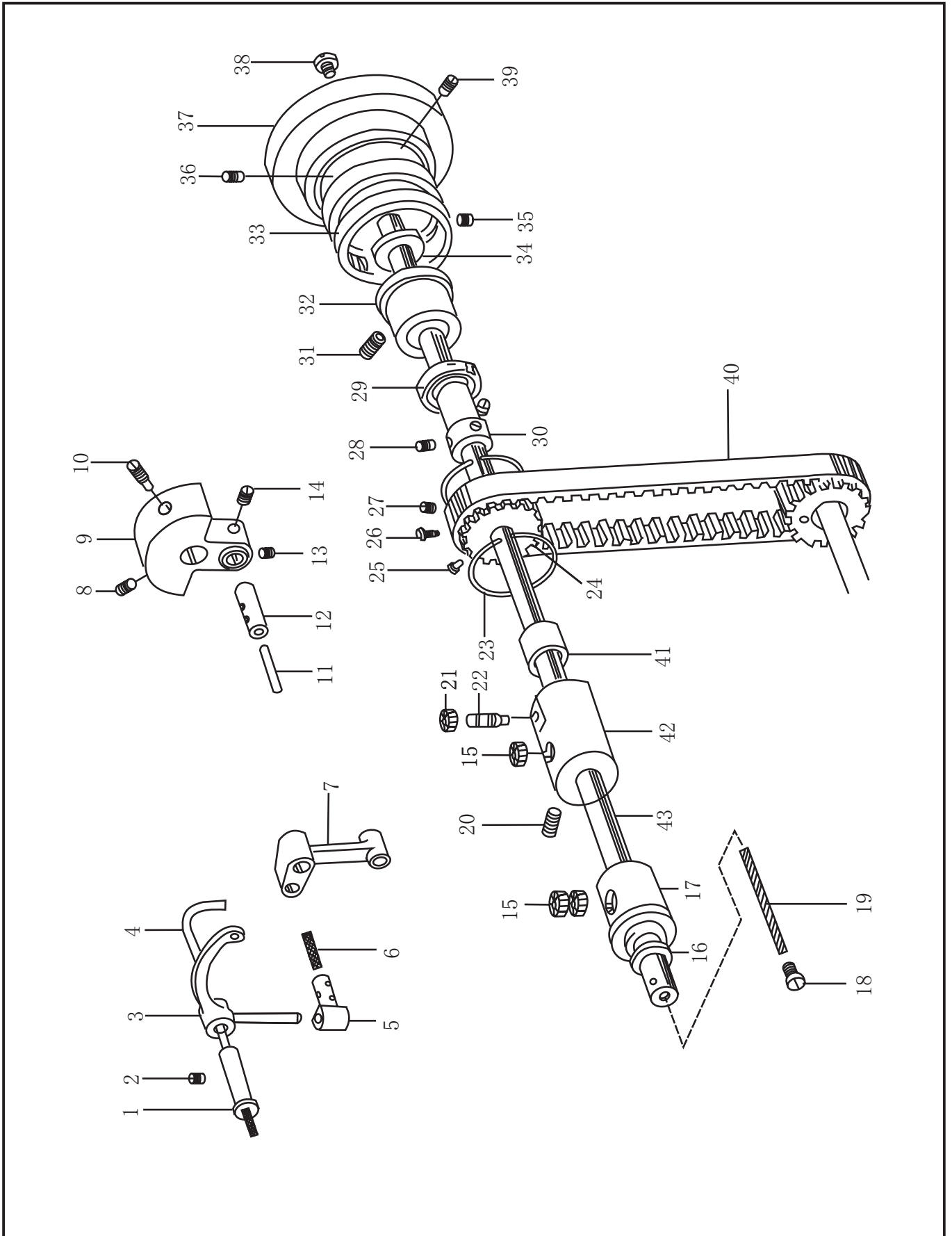
1. Arm



1. Arm

NO.	Part Number	Name	Qt.		Remark
			8 B	8 B V	
1	16WF2-008	Face plate	1	1	
2	16WF2-010	Pin	1	1	
3	16WF2-009	Screw	1	1	SM9/64"X40
4	16WF1-059	Screw	1	1	SM9/64"X40
5	16WF2-038	Oil retainer	1	1	
6	16WF2-003	Rubber plug	1	1	
7	16WF2-022	Screw	1	1	SM3/16"X28
8	16WF2-023	Washer	1	1	
9	16WF2-021	Upper cover	1	1	
10	22WF2-004	Screw	6	6	M6X1
11	37T4-407	Hinge	1	1	
12	22WF2-005	Trade mark	1		
	28WF2-002	Rivet		1	
13		Trade mark	4	4	GB827-86
14	16WF2-053	Washer	1	1	
15	37T4-411	Connecting hook screw assembly	1	1	
16	22WF2-006	Connecting hook	1	1	M6X1
17	37T4-409	Screw	1	1	
18	22WF2-020	Bed	1	1	SM1/4"X28
19	22WF2-003	Screw	1	1	
20		Washer	4	4	M8X75 GB68-85
21		Washer	4	4	GB96-85-8
22		Washer	4	4	GB93-87-8
23		Nut	4	4	GB41-86-8
24	22WF2-013	Screw	4	4	SM9/65"X40
25	22WF2-014	Safety guard	1	1	
26	22WF2-010	Sliding plate assembly	1		
27	22WF2-011	Front plate for sliding plate	1	1	
28	22WF2-012	Rear plate for sliding plate	1	1	
29	28WF2-008	Nut		2	
30	28WF2-006	Screw		2	SM11/64"X40
31	28WF2-005	Bed cover		1	
32	28WF2-007	Binder		1	
33	28WF2-010	Screw		1	SM5/16"X24
34	28WF2-009	Spring		1	
35	28WF2-004	Side cover		1	
36	7WF5-007	Screw		2	

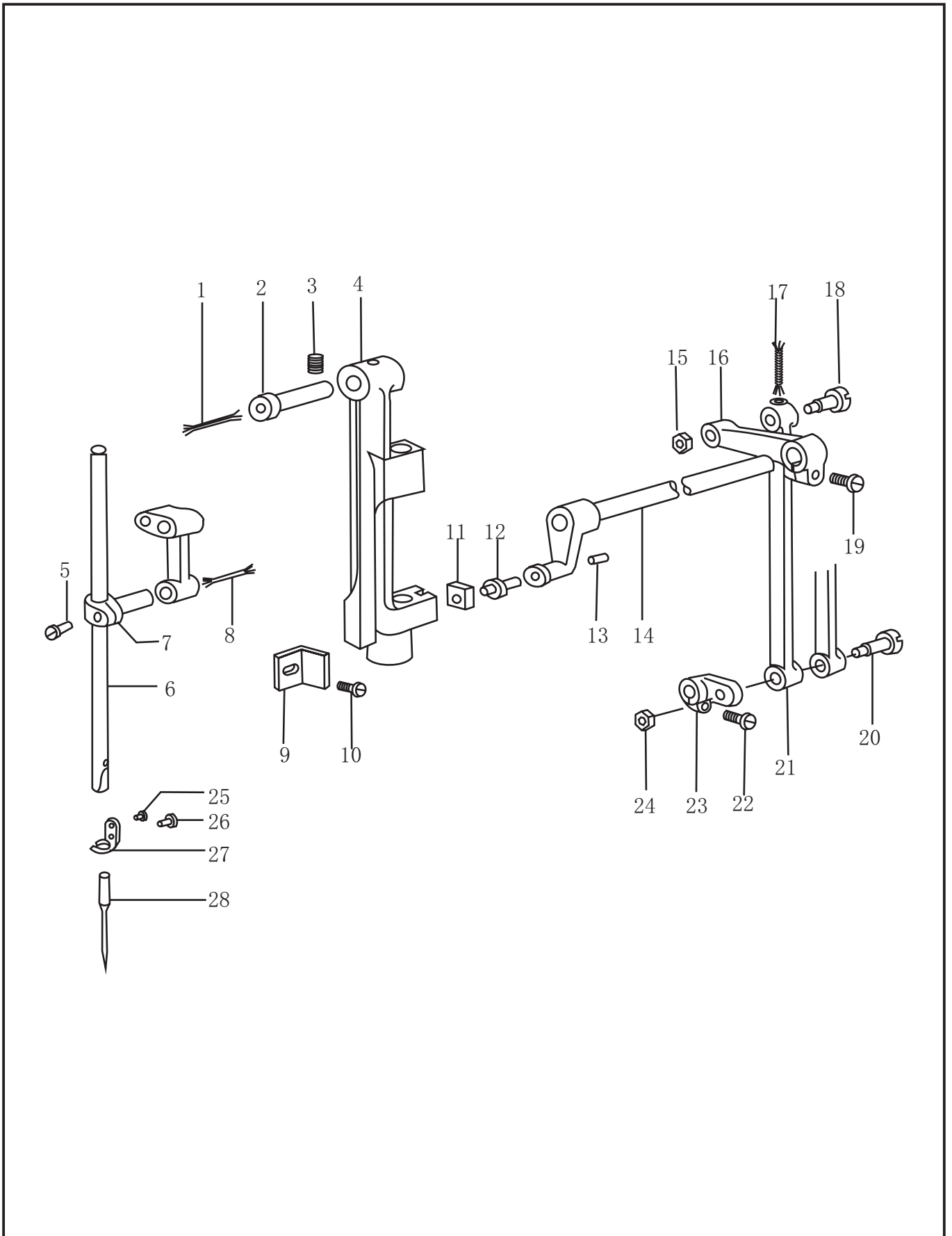
2. Upper shaft and thread take-up parts



2. Upper shaft and thread take-up parts

NO.	Part Number	Name	Qt.		Remark
			8 B	8 B V	
1	16WF1-010	Thread take-up lever pin shaft	1	1	
2	16WF1-011	Screw	1	1	SM17/64" 32
3	16WF1-012	Thread take-up lever	1	1	
4		Oil wick	1	1	
5	16WF1-013	Sliding block	1	1	
6		Oil wick	1	1	
7	16WF1-014	Needle bar link	1	1	
8	16WF1-020	Screw	1	1	SM1/4" 28
9	16WF1-018	Needle bar crank	1		
	28WF1-002	Screw		1	
10	16WF1-019	Oil wick	1	1	SM1/4" 28
11		Crank pin	1	1	
12	16WF1-015	Screw	1	1	
13	16WF1-017	Screw	1	1	SM1/4" 28
14	16WF1-016	Oil felt	1	1	SM1/4" 28
15	16WF1-025	Spacer	3	3	
16	16WF1-021	Front bushing	1	1	
17	22WF1-053	Screw	1	1	
18	22WF1-049	Oil wick	1	1	SM5/16" 28
19		Screw	1	1	
20	16WF1-004	Nut	1	1	SM17/64" 32
21	22WF1-042	Screw	1	1	
22	16WF1-019	Nut	1	1	
23	16WF1-043	Screw	1	1	
24	16WF1-043	Retainer	2	2	
25	22WF1-043	Synchro pulley	1	1	
26	22WF1-044	Screw	1	1	SM1/4" 28
27	22WF1-046	Screw	1	1	SM1/4" 28
28	22WF1-045	Screw	1	1	SM1/4" 28
29	22WF1-048	Screw	2	2	SM1/4" 28
30	22WF1-047	Bearing	1	1	202 15 35 11
31	22WF1-047	Bushing	1	1	
32	16WF1-004	Screw	1	1	SM17/64" 32
33	16WF1-026	Rear bushing	1	1	
34	22WF1-008	Ring for balance wheel	1	1	
35	16WF1-029	Retainer	1	1	
36	16WF1-056	Screw	1	1	SM1/4" 32
37	13WF1-078	Screw	1	1	SM15/64" 28
38	16WF1-035	Balance wheel	1	1	
39	16WF1-040	Screw	1	1	SM11/32" 28
40	13WF1-077	Screw	1	1	SM15/64" 28
41	22WF1-007	Synchro belt	1	1	
42	22WF1-041	Bushing	1	1	
43	22WF1-006	Middle bushing	1	1	
44	22WF1-005	Upper shaft	1	1	

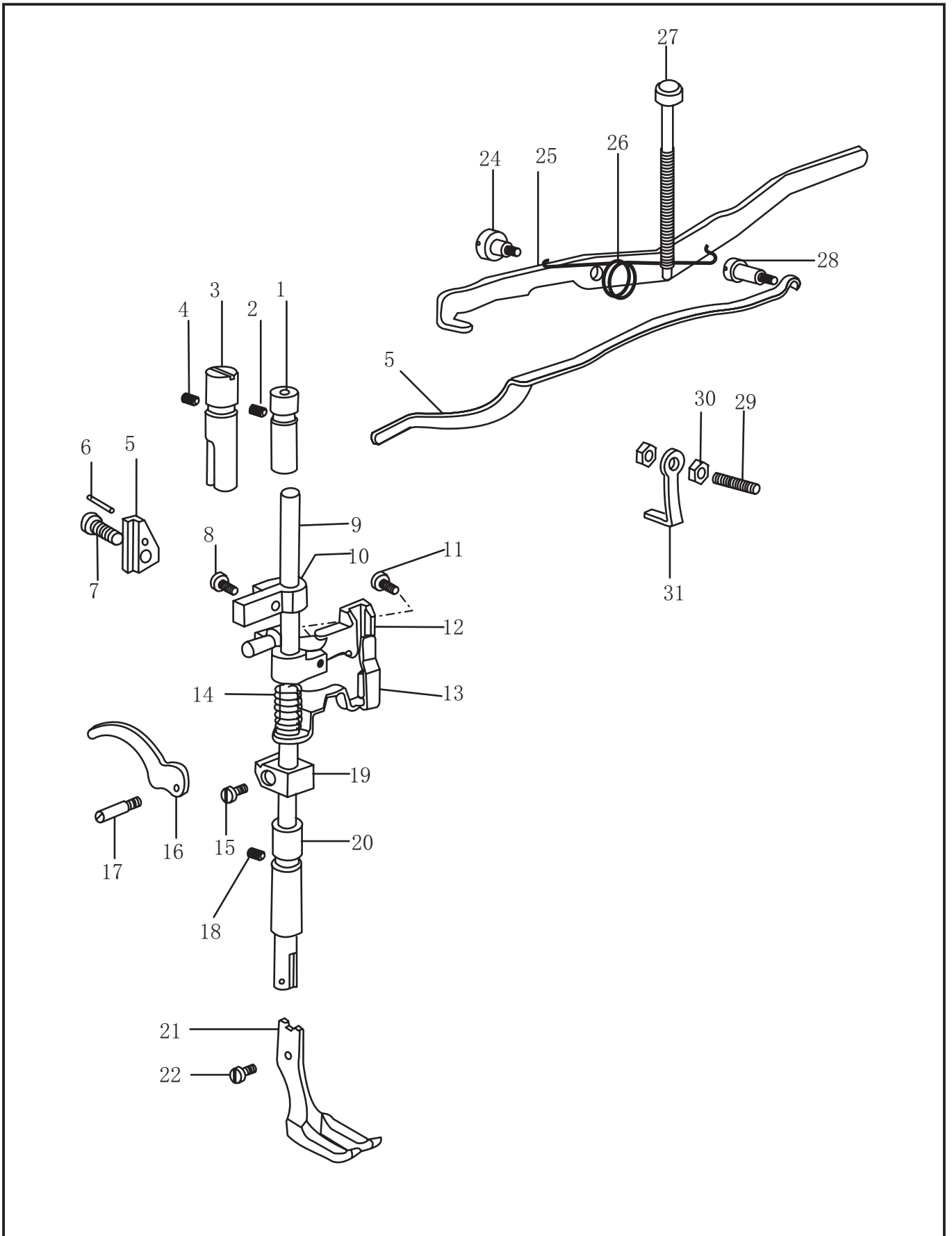
3. Needle bar rock parts



3. Needle bar rock parts

NO.	Part Number	Name	Qt.		Remark
			8 B	8 BV	
1		Oil wick	1	1	
2	22WF5-002	Pin for needle bar rock holder	1	1	
3	16WF1-011	Screw	1	1	SM17/64" 32
4	22WF5-001	Needle bar rock holder	1	1	
5	16WF1-009	Screw	1	1	M4 0.7
6	22WF1-001	Needle bar	1	1	
7	22WF1-004	Needle bar adaptor	1	1	
8		Oil wick	1	1	
9	1WF5-009	Guide plate	1	1	
10	1WF5-010	Screw	1	1	SM11/64" 40
11	22WF5-005	Sliding block	1	1	
12	22WF5-006	Sliding block shaft	1	1	
13	22WF1-020	Screw	1	1	SM7/32" 32
14	22WF5-004	Needle bar rock shaft	1	1	
15	22WF5-016	Nut	1	1	
16	22WF5-008	Crank	1	1	
17		Oil wick	1	1	
18	22WF5-011	Screw	1	1	SM1/4" 28
19	22WF3-011	Screw	1	1	SM1/4" 28
20	22WF4-008	Screw	1	1	M8 1.25
21	22WF5-010	Needle bar rock link	1	1	
22	22WF4-007	Screw	1	1	SM7/32" 32
23	22WF4-006	Feed dog crank	1	1	
24	22WF4-009	Nut	1	1	
25	16WF1-006	Screw	1	1	SM3/32" 56
26	22WF4-003	Screw	1	1	SM1/8" 40
27	22WF4-002	Needle bar finger	1	1	
28		Needle	1	1	DP 17 22#

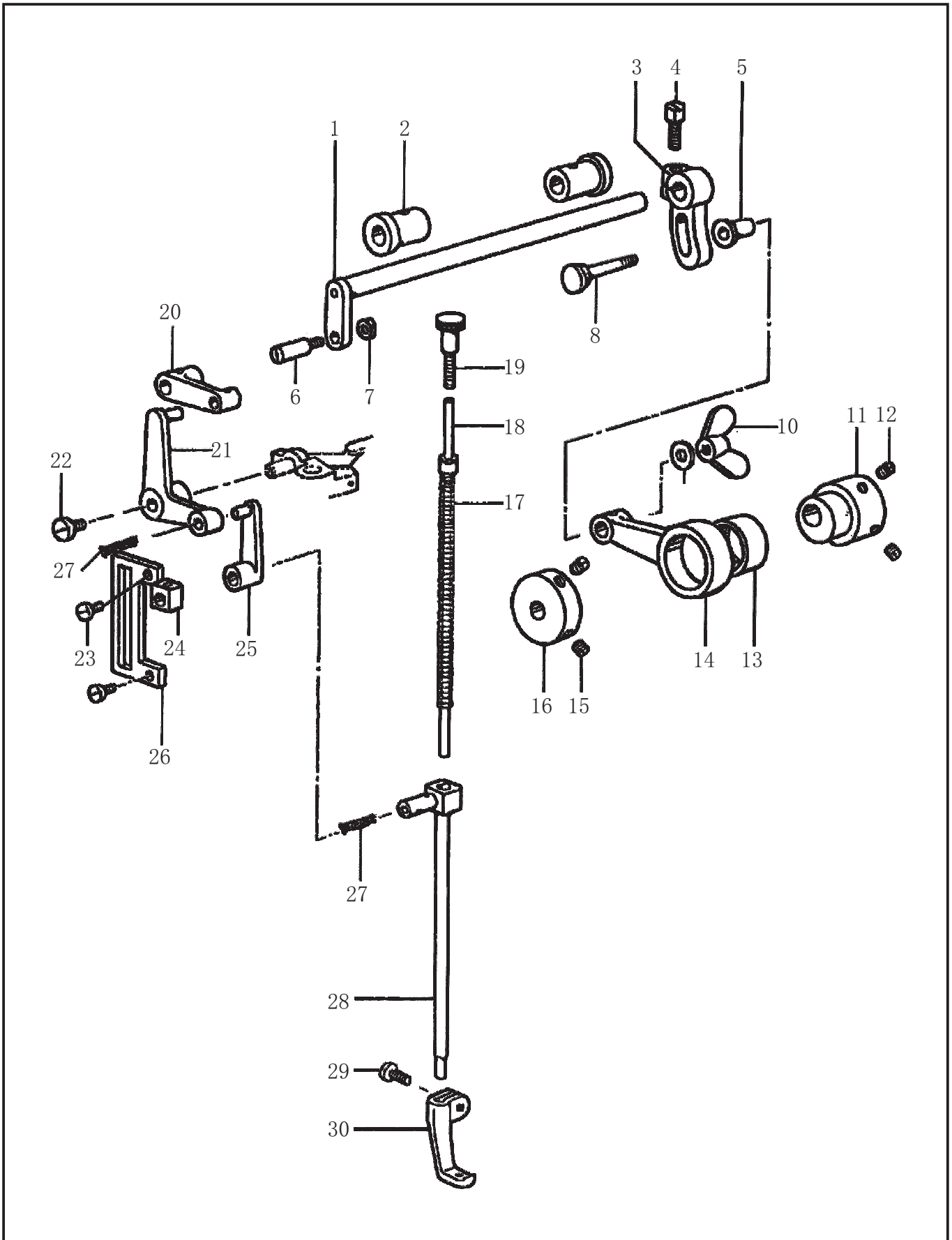
4. Presser bar parts



4. Presser bar parts

NO.	Part Number	Name	Qt.		Remark
			8 B	8 B V	
1	16WF4-027	Upper shaft bushing for presser bar	1	1	
2	16WF3-025	Screw	1	1	SM17/64" 32
3	16WF4-020	Guide shaft	1	1	
4	16WF3-025	Screw	1	1	SM17/64" 32
5	22WF3-010	Pressure plate	1	1	
6	22WF3-012	Pressure plate pin	1	1	
7	22WF3-011	Screw	1	1	SM1/4" 28
8	16WF4-022	Screw	1	1	SM9/64" 40
9	22WF3-005	Presser bar	1	1	
10	16WF4-021	Presser bar guide	1	1	
11	16WF2-033	Screw	1	1	SM11/64" 40
12	22WF3-007	Thread releasing guide bracket	1	1	
13	22WF3-009	Thread releasing plate	1	1	
14	22WF3-008	Spring	1	1	M4 0.7
15	16WF1-009	Screw	1	1	
16	16WF4-002	Presser foot lifter	1	1	
17	16WF3-001	Presser foot lifter shaft	1	1	SM17/64" 32
18	16WF3-025	Screw	1	1	
19	16WF4-023	Presser bar plate spring bracket	1	1	
20	22WF3-006	Lower shaft bushing	1	1	
21	22WF3-013	Presser foot	1		
	22WF3-001	Presser foot			
22	22WF3-014	Screw	1	1	SM9/64" 40
23	16WF4-009	Presser bar plate spring	1	1	
24	16WF3-059	Screw	1	1	SM1/4" 28
25	22WF3-002	Presser foot lifter lever	1	1	
26	22WF3-001	Spring	1	1	
27	16WF4-016	Regulating screw	1	1	SM17/64" 32
28	16WF4-008	Screw	1	1	SM1/4" 28
29	22WF3-003	Screw	1	1	SM15/64" 28
30	22WF3-004	Nut	2	2	
31	22WF3-015	Position plate	1	1	

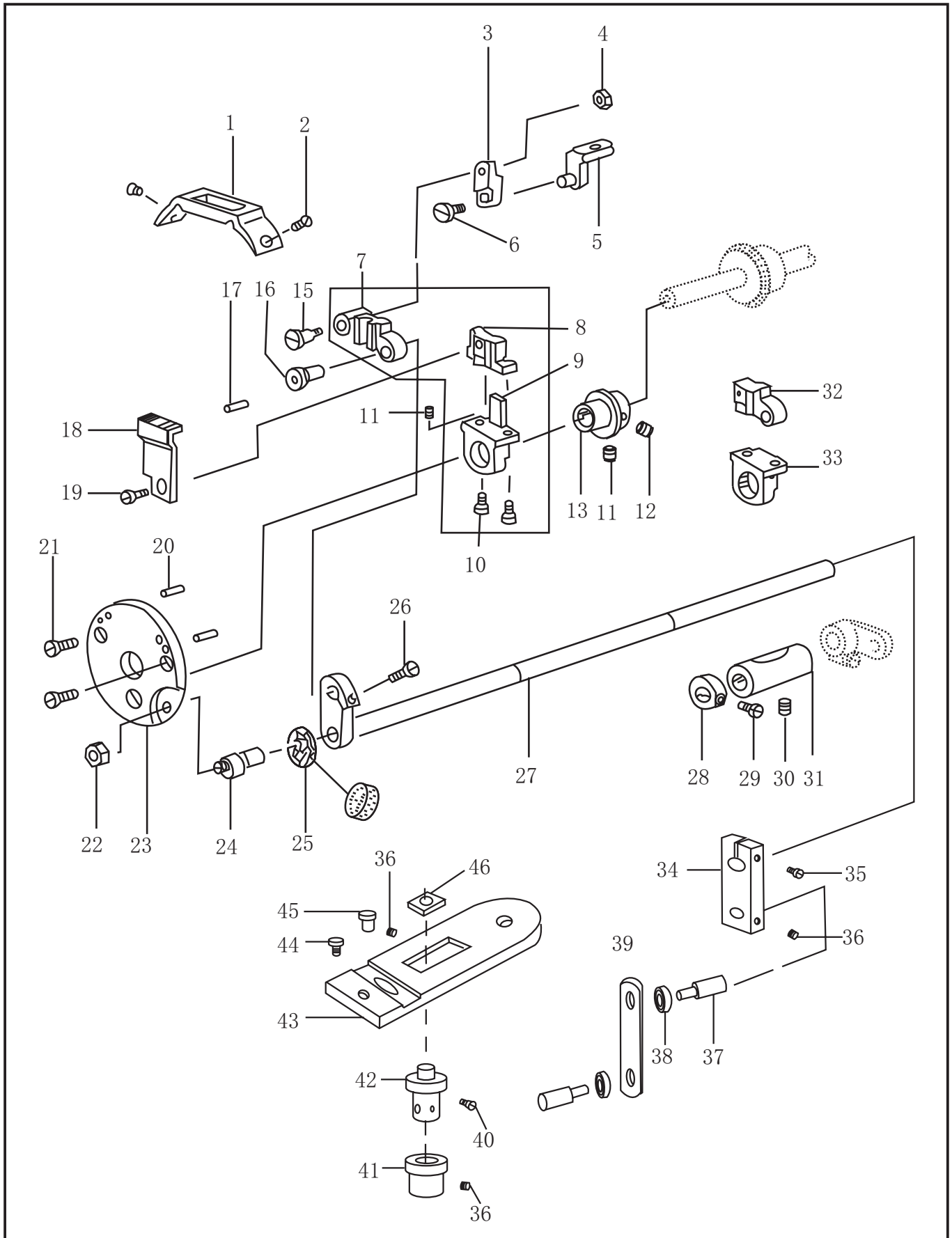
5. Upper feed parts



5. Upper feed parts

NO.	Part Number	Name	Qt.		Remark
			8 B	8 B V	
1	22WF5-012	Presser foot lifter shaft	1	1	
2	22WF5-013	Bushing	2	2	
3	22WF5-017	Crank	1	1	
4	16WF3-030	Screw	1	1	SM1/4" 28
5	22WF5-019	Collar	1	1	
6	22WF5-015	Screw	1	1	SM11/4" 28
7	22WF5-016	Nut	1	1	
8	22WF5-018	Screw	1	1	SM7/32" 32
9	16WF2-023	Washer	1	1	
10	22WF5-020	Nut	1	1	
11	22WF5-022	Eccentric wheel	1	1	
12	22WF4-002	Screw	2	2	SM1/4" 40
13		Bearing	1	1	
14	22WF5-021	Eccentric link	1	1	
15	22WF5-025	Screw	2	2	SM7/32" 32
16	22WF5-024	Collar	1	1	
17	22WF5-030	Spring	1	1	
18	22WF5-031	Spring lever	1	1	
19	22WF5-034	Screw	1	1	SM9/32" 32
20	22WF5-014	Link	1	1	
21	22WF5-026	Rocking plate	2	2	
22	22WF5-027	Screw	1	1	SM11/64" 40
23	16WF1-059	Screw	2	2	SM9/64" 40
24	22WF5-009	Sliding block	1	1	
25	22WF5-028	Link	1	1	
26	22WF5-003	Guide rail	1	1	
27		Oil wick	2	2	
28	22WF5-029	Rocking presser lever	1	1	
29	22WF5-033	Screw	1	1	SM5/32" 40
30	22WF5-032	Small presser foot	1		
	28WF5-001			1	

6. Feed shaft parts



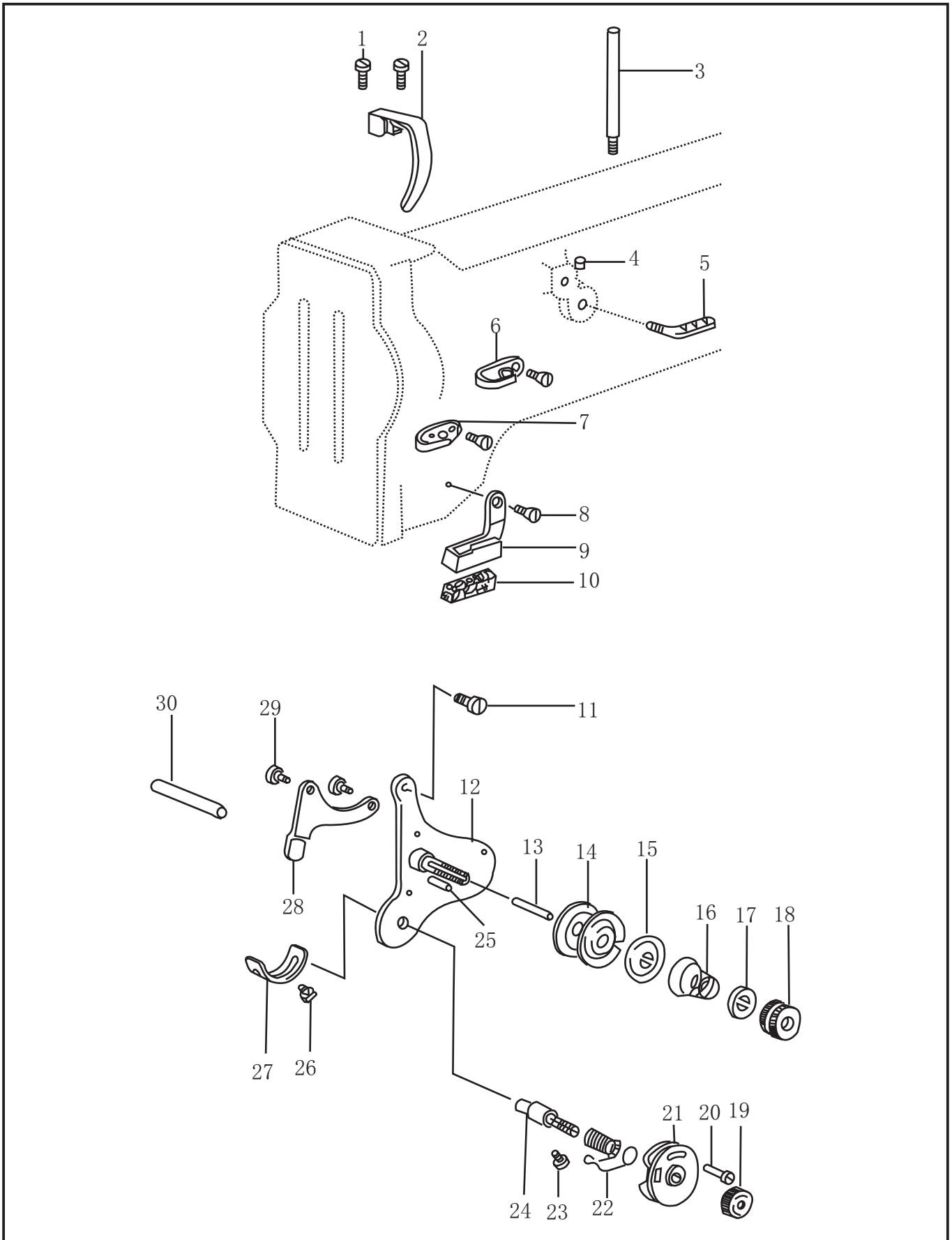
6. Feed shaft parts

NO.	Part Number	Name	Qt.		Remark
			8 B	8 BV	
1	22WF2-009	Needle plate	1		
	28WF2-003	Needle plate		1	SM9/64" 40
2	22WF2-007	Screw	2	2	
3	22WF4-017	Link	1		
4	22WF4-044	Nut	1		
5	22WF4-016	Connecting holder	1		
6	22WF4-019	Screw	1		SM9/64" 40
7	22WF4-015A2	Feed dog guide	1		
8	22WF4-015A1	Feed dog holder	1		
9	22WF4-015A3	Feed dog carrier bracket	1		
10	22WF4-015A4	Screw	2	2	SM9/64" 40
11	22WF4-005	Screw	1	1	M5 0.8
12	22WF4-004	Screw	1	1	M5 0.8
13	22WF4-003	Feed lifter cam	1		
	28WF4-001	Screw		1	
14	22WF4-018	Screw	1	1	M2.5 .45
15	22WF4-043	Connecting pin	1		SM11/64" 40
16	22WF4-042	Oil wick	1	1	
17		Feed dog	1	1	
18	22WF4-013	Feed dog	1		
	28WF4-002	Screw		1	
19	22WF4-014	Pin	1	1	SM11/64" 40
20	22WF2-018	Screw	2	2	
21	22WF2-017	Nut	2	2	SM3/16" 32
22	22WF4-011	Cover	1	1	
23	22WF2-016	Screw	1	1	
24	614471	Oil felt	1	1	
25	22WF4-012	Screw	1	1	
26	22WF4-020	Feed shaft	1	1	
27	22WF4-041	Collar	1	1	M4 0.7
28	22WF4-045	Screw	1	1	
29	22WF1-007	Screw	1	1	
30	661012	Bushing	1	1	
31	22WF4-046	Feed dog support	1	1	M5 0.8
32	22WF4-003	Feed dog support bracket		1	SM15/64" 28
33	28WF4-016	Feed connector		1	
34	28WF4-004	Screw			
35	28WF4-005	Screw		1	
36	21T1-001	Connecting pin		1	
37	28WF4-006	Bearing		1	SM11/64" 40
38	28WF4-015	Link		3	SM11/64" 40
39	28WF4-007	Screw		2	
40	28WF4-010	Cover		2	
41	28WF4-011	Eccentric pin		1	
42	28WF4-009	Rocking plate		1	
43	28WF4-012	Screw		1	
44	28WF4-013	Pin		1	
45	28WF4-014	Sliding block		1	
46	28WF4-008	Washer		1	
47	28WF4-017			1	

7. Lower shaft and rotating hook parts

NO.	Part Number	Name	Qt.		Remark
			8 B	8 BV	
1	16WF1-063	Bobbin	1		
2		Bobbin	1	1	
3	22WF1-029	Rotating hook	1	1	Koban KRT31-11S
4	22WF1-033	Screw	1	1	SM9/64" 40
5	22WF1-030	Eccentric plate	1	1	
6	22WF1-031	Thread separator	1	1	
7	13WF2-008	Sliding block	1	1	
8	22WF1-032	Screw	1	1	
9	22WF1-037	Set plate	1	1	
10	22WF1-034	Oil felt	1	1	
	9KT1-006	Rotating hook bracket			
11	22WF1-028	Hook bevel gear	1	1	
12	22WF1-036	Washer	2	1	
13	22WF1-035	Screw(big)	1	2	M5 0.8
14	22WF1-050	Screw(small)	1		M5 0.8
15	22WF1-024	Lower shaft bevel gear	1	2	
16	22WF1-025	Screw	3	1	M5 0.8
17	22WF1-021	Bushing	1	3	
	28WF1-001	Bushing		1	
18	22WF1-022	Screw	2		SM15/64" 28
19	22WF1-039	Stop wheel	1	2	
20	22WF1-038	Button	1	1	
21		Split ring	1	1	
22	16WF3-046	Spring	1	1	GB91-86 1.6 10
23	22WF1-040	Collar	1	1	
24	380637	Screw	1	1	
25	380640	Screw	1	1	SM1/4" 32 Length 8
26	22WF1-026	Collar	1	1	SM1/4" 32 Length 7
27	13WF3-072	Screw	1	1	
28	13WF3-027	Screw	1	1	M5 0.8
29	22WF1-023	Lower shaft rear bushing	1	1	
30	22WF1-009	Lower shaft	1	1	
31	22WF2-015	Position plate	1	1	
32	13WF6-008	Screw	2	1	SM1/8" 40
33	22WF1-010	Synchro pulley	1	2	
34	22WF1-020	Screw	2	1	SM7/32" 32
35	16WF1-043	Retainer	1	2	
36	22WF1-011	Bushing	1	1	
37	22WF1-012	Screw	1	1	SM1/4" 32
38	22WF1-052	Screw	1	1	
39	22WF1-018	Stop plate	1	1	
40	22WF1-019	Screw	1	1	
41	22WF1-013	Spring plate	1	1	
42	22WF1-015	Pin	1	1	
43	22WF1-014	Spring	1	1	
44		Split pin	1	1	GB91-86 1.2 8
45	22WF1-016	Stop plate	1	1	
46	22WF1-017	Connecting part	1	1	

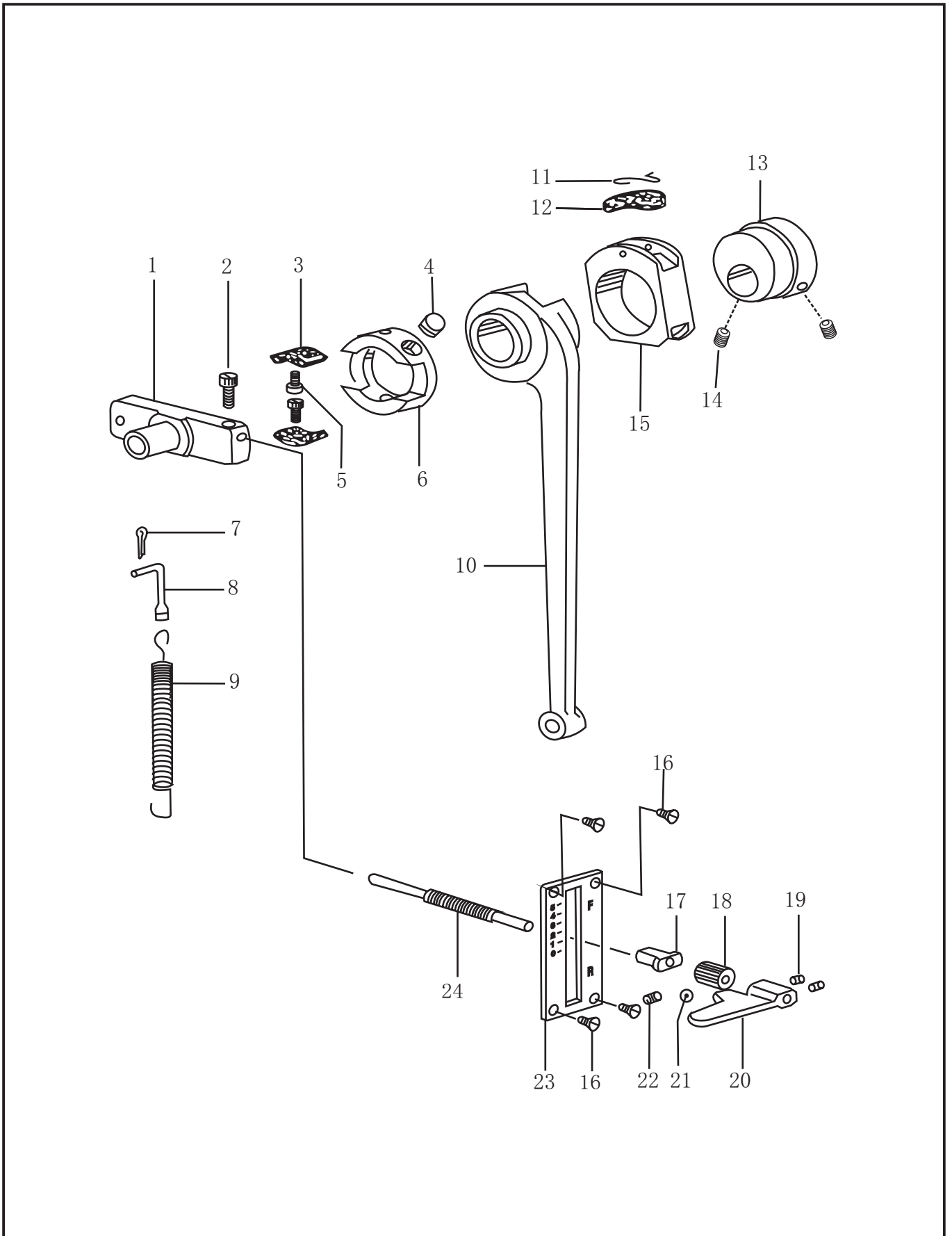
8. Thread-pass parts



8. Thread-pass parts

NO.	Part Number	Name	Qt.		Remark
			8 B	8 B V	
1	16WF2-017	Screw	2	2	SM9/64" 40
2	16WF2-016	Safety guard	1	1	
3	16WF2-048	Thread retaining pin	1	1	
4	16WF2-025	Screw	1	1	SM9/64" 40
5	16WF2-024	Three-eye thread finger	1	1	
6	16WF2-011	Upper thread finger	1	1	
7	16WF2-012	Middle thread finger	1	1	
8	16WF2-015	Screw	3	3	SM9/64" 40
9	16WF2-013	Lower thread finger	1	1	
10	16WF2-014	Felt	1	1	
11	16WF2-020	Screw	1	1	SM11/64" 32
12	16WF2-046A1	Set plate	1	1	
13	16WF2-046A13	Thread releasing pin	1	1	
14	16WF2-046A6	Thread tension plate	2	2	
15	16WF2-046A5	Thread releasing plate	1	1	
16	16WF2-045A4	Spring	1	1	
17	153029	Stop plate	1	1	
18	16WF2-046A3	Nut	1	1	
19	16WF2-046A11	Nut	1	1	
20	16WF2-046A9	Screw	1	1	SM3/32" 56
21	1WF1-010J	Thread control plate assembly	1	1	
22	16WF2-046A7	Thread take-up spring	1	1	
23	16WF2-033	Screw	1	1	SM11/64" 32
24	16WF2-046A10	Thread take-up spring shaft	1	1	
25	16WF2-046A12	Pin	1	1	
26	16WF2-050	Screw	1	1	SM9/64" 40
27	16WF2-049	Position plate	1	1	
28	16WF2-046A14	Thread tension releasing disc	1	1	
29	16WF2-046A15	Screw	2	2	SM9/64" 40
30	103723	Thread tension releasing lever	1	1	

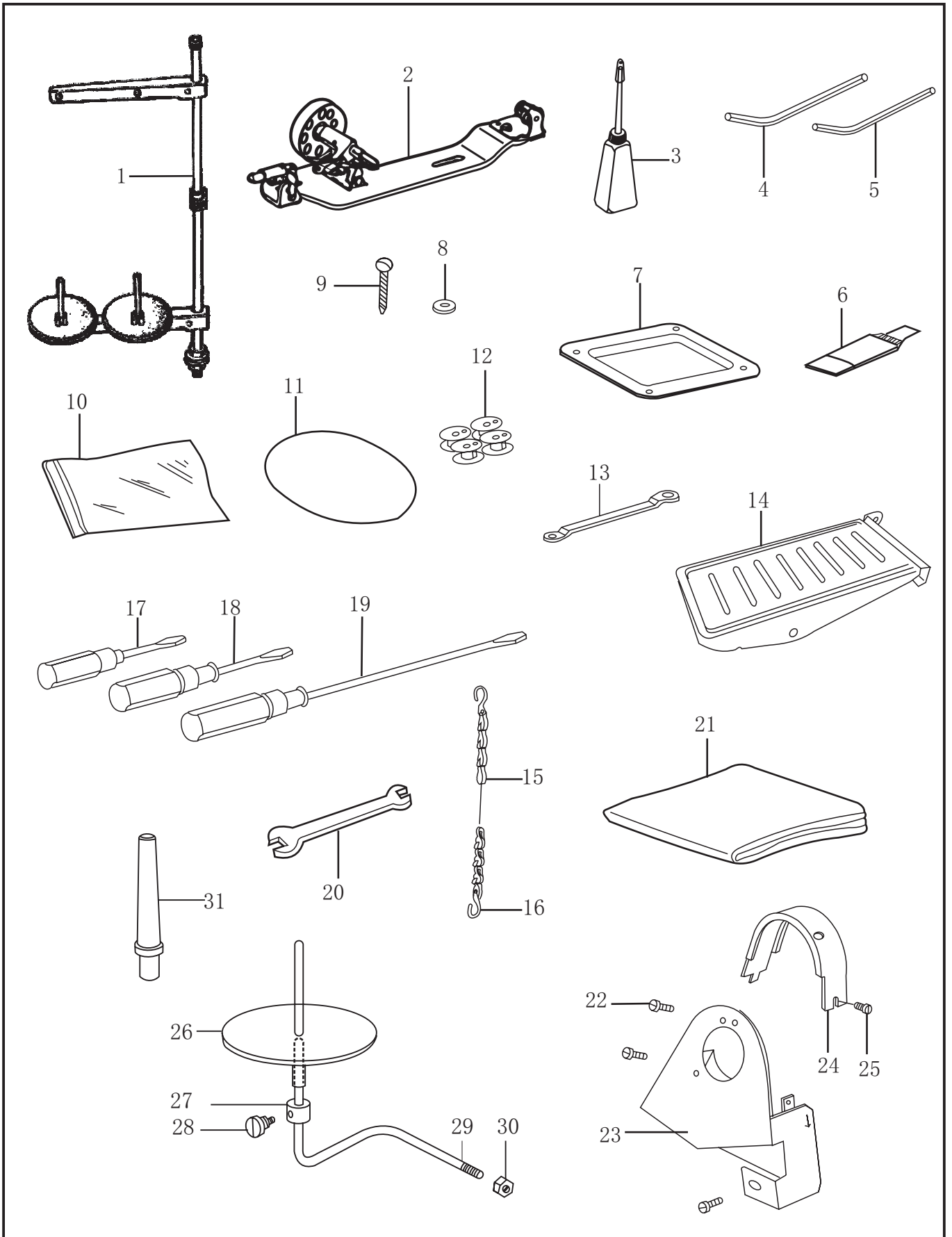
9. Stitch length adjustment



9. Stitch length adjustment

NO.	Part Number	Name	Qt.		Remark
			8 B	8 BV	
1	22WF4-023	Reverse stitch plate	1	1	
2	22WF4-025	Screw	1	1	M5 0.8
3	22WF4-035	Oil felt	2	2	
4	22WF4-037	Oil felt	1	1	
5	J0. 0. 50	Screw	1	1	SM1/8" 40
6	22WF4-034	Adjusting block	1	1	
7		Split pin	1	1	GB91.86 1.6 12
8	22WF4-022	Spring finger	1	1	
9	22WF4-021	Spring	1	1	
10	22WF4-033	Feed link	1	1	
11	22WF4-040	Spring	1	1	
12	22WF4-039	Oil felt	1	1	
13	22WF4-001	Eccentric wheel	1	1	
14	22WF4-002	Screw	2	2	SM1/4" 40
15	22WF4-038	Sliding block	1	1	
16	22WF4-032	Screw	4	4	SM1/8" 40
17	22WF4-026	Position block	1	1	
18	22WF4-027	Nut	1	1	SM9/32" 28
19	13WF4-027	Screw	2	2	M5 0.8
20	22WF4-028	Reverse feed lever	1	1	
21		Spring ball	1	1	φ 3.17
22	22WF4-030	Spring	1	1	
23	22WF4-031	Stitch length dial	1	1	
24	22WF4-024	Adjusting bolt	1	1	

10. Accessories



10. Accessories

NO.	Part Number	Name	Qt.		Remark
			8 B	8 B V	
1	4F-007	Spool stand assembly	1	1	
2	S14420020	Thread winder assembly	1	1	
3	33TF-011	Oil pot	1	1	
4	1F-010	Hexagonal screwdriver	1	1	Standard2.5mm
5	1F-011	Hexagonal screwdriver	1	1	Standard3mm
6	1F-019	Needle	1Pack	1Pack	DP 17 22 #
7	22WF2-008	Oil reservoir	1	1	
8	33TF-018	Washer	2	2	Washer6 GB848-85
9	33TF-017	Wood screw	2	2	5 20 GB99-86
10	33TF-010	Accessory bag	1	1	
11	33TF-005	V-belt	1	1	0-Type 1380mm
12	16WF1-063	Bobbin	4	4	
13		Spanner	1	1	Standard11-12
14	18WF1-013	Pedal assembly	1	1	
15	18WF1-017	Chain	1	1	Length1000mm
16	18WF1-016	Chain finger	2	2	
17	33TF-014	Screwdriver (small)	1	1	
18	33TF-013	Screwdriver (medium)	1	1	
19	33TF-012	Screwdriver (big)	1	1	
20		Two head wench	1	1	
21		Cover	1	1	
22	37T4-416	Screw	2	2	SM9/64" 40
23	22WF6-006	Safety guard (II)	1	1	
24	22WF6-005	Safety guard (I)	1	1	
25	22WF6-007	Screw	2	2	SM13/64" 32
26	28WF2-011	Webbing disc	1	1	
27	28WF2-014	Collar		1	
28	28WF2-013	Screw		1	GB841-86-M8
29	28WF2-012	Shaft for webbing disc		1	
30		Hexagonal nut		1	
31	16WF5-007	Machine head support	1	1	